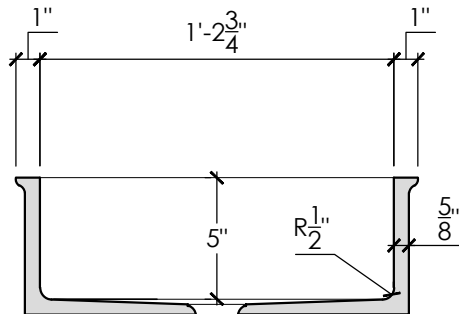


SINK WEIGHT: 12 LBS. 8 OZ.


PLAN VIEW

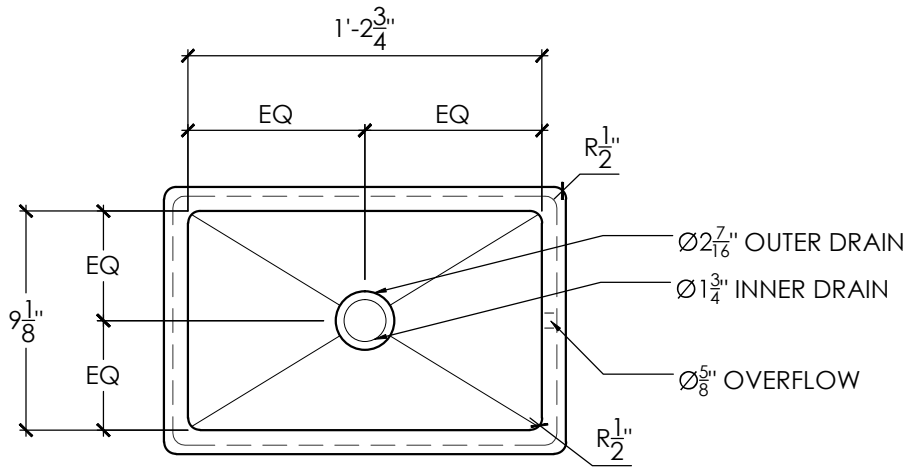


LONGITUDINAL SECTION

NOTES:

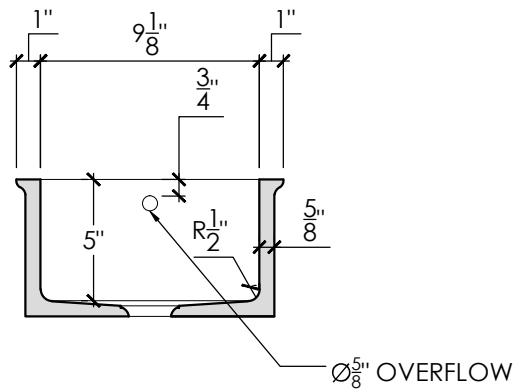
- SINKS COME STANDARD WITHOUT OVERFLOW. 5/8" OVERFLOW CAN BE ADDED UPON REQUEST.
- ALL PLUMBING HARDWARE PROVIDED BY OTHERS.

DATE: 2017.12.19	DURAT SINK - BLOCK I-A
DRAWING: PLAN & ELEV	
SCALE: 1-1/2" = 1'-0"	
All dimensions size designations given are subject to verification on job site and adjustment to fit job conditions.	
	

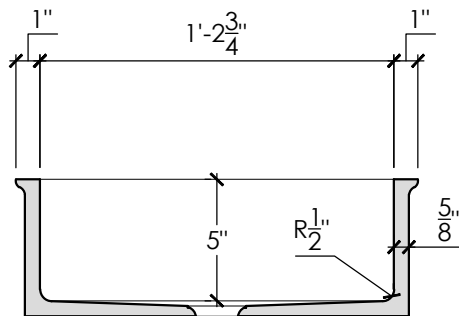


SINK WEIGHT: 12 LBS. 8 OZ.

PLAN VIEW



TRANSVERSE SECTION



LONGITUDINAL SECTION

NOTES:

- ALL PLUMBING HARDWARE PROVIDED BY OTHERS.

DATE: 2017.12.19

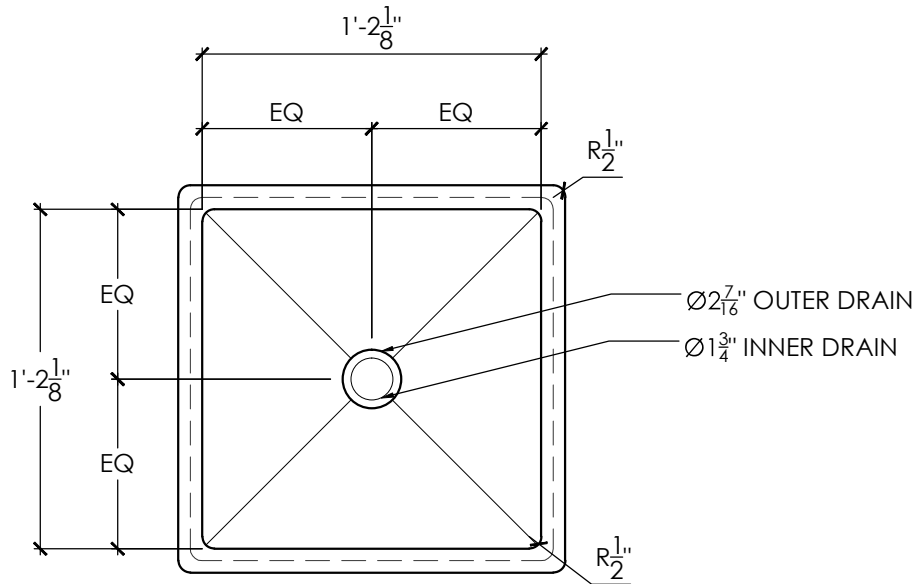
DRAWING: PLAN & ELEV

SCALE: 1-1/2" = 1'-0"

All dimensions size designations given are subject to verification on job site and adjustment to fit job conditions.

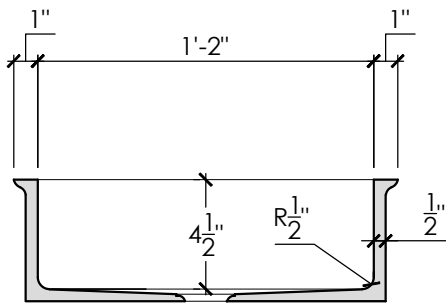
DURAT SINK - BLOCK I-A

Cerami Inc.



SINK WEIGHT: 14 LBS.

PLAN VIEW



LONGITUDINAL SECTION

NOTES:

- SINKS COME STANDARD WITHOUT OVERFLOW. 5/8" OVERFLOW CAN BE ADDED UPON REQUEST.
- ALL PLUMBING HARDWARE PROVIDED BY OTHERS.

DATE: 2017.12.19

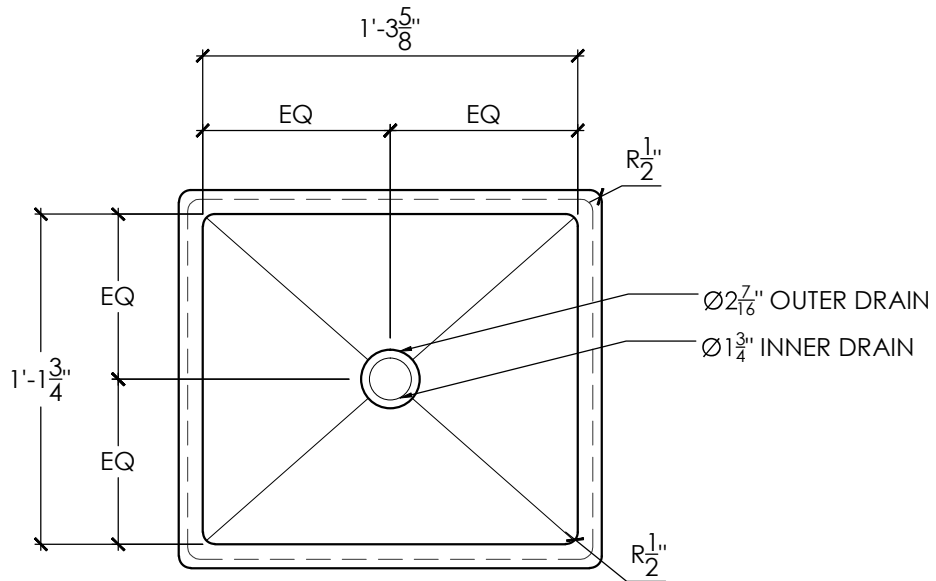
DRAWING: PLAN & ELEV

SCALE: 1-1/2" = 1'-0"

All dimensions size designations given are subject to verification on job site and adjustment to fit job conditions.

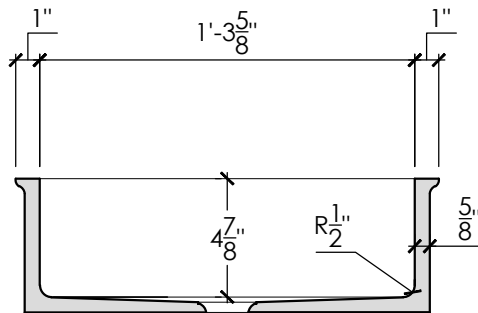
DURAT SINK - BLOCK I-B

Cerami Inc.



SINK WEIGHT: 17 LBS. 4 OZ.

PLAN VIEW



LONGITUDINAL SECTION

NOTES:

- SINKS COME STANDARD WITHOUT OVERFLOW. $5/8"$ OVERFLOW CAN BE ADDED UPON REQUEST.
- ALL PLUMBING HARDWARE PROVIDED BY OTHERS.

DATE: 2017.12.19

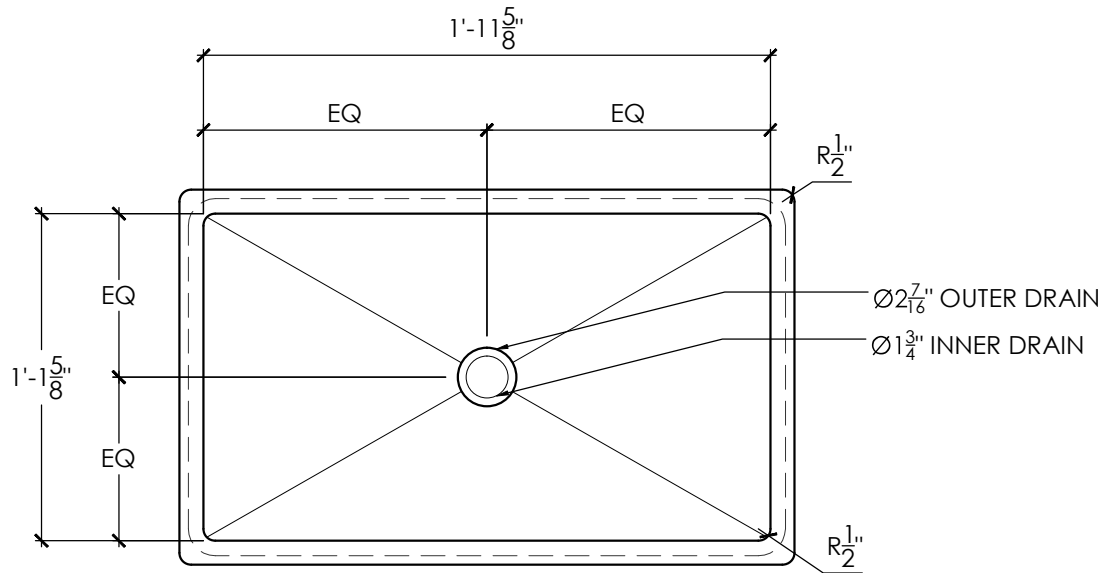
DRAWING: PLAN & ELEV

SCALE: $1-1/2" = 1'-0"$

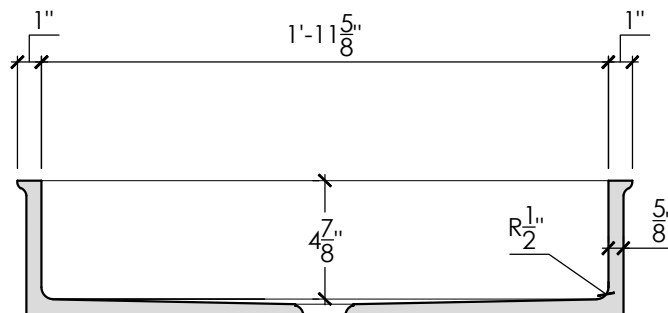
All dimensions size designations given are subject to verification on job site and adjustment to fit job conditions.

DURAT SINK - BLOCK III

Cerami Inc.




PLAN VIEW

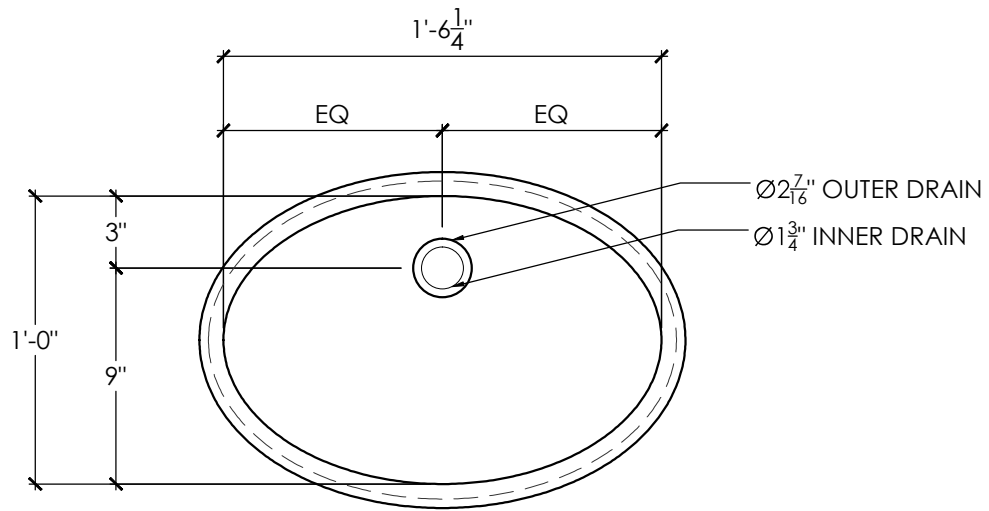


LONGITUDINAL SECTION

NOTES:

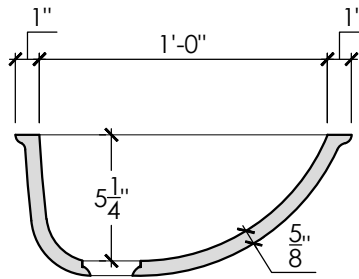
- SINKS COME STANDARD WITHOUT OVERFLOW. OVERFLOW CAN BE ADDED UPON REQUEST.
- ALL PLUMBING HARDWARE PROVIDED BY OTHERS.

DATE: 2017.7.13	DURAT SINK - BLOCK VIII 
DRAWING: PLAN & ELEV	
SCALE: 1-1/2" = 1'-0"	
<small>All dimensions size designations given are subject to verification on job site and adjustment to fit job conditions.</small>	

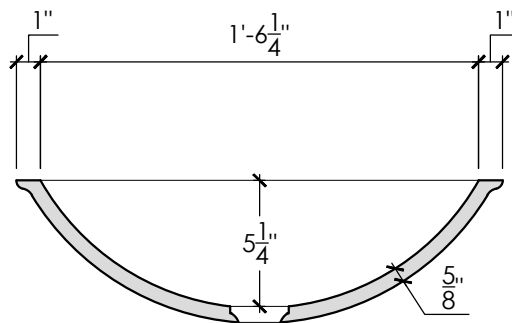


SINK WEIGHT: 10 LBS. 8 OZ.

PLAN VIEW



TRANSVERSE SECTION

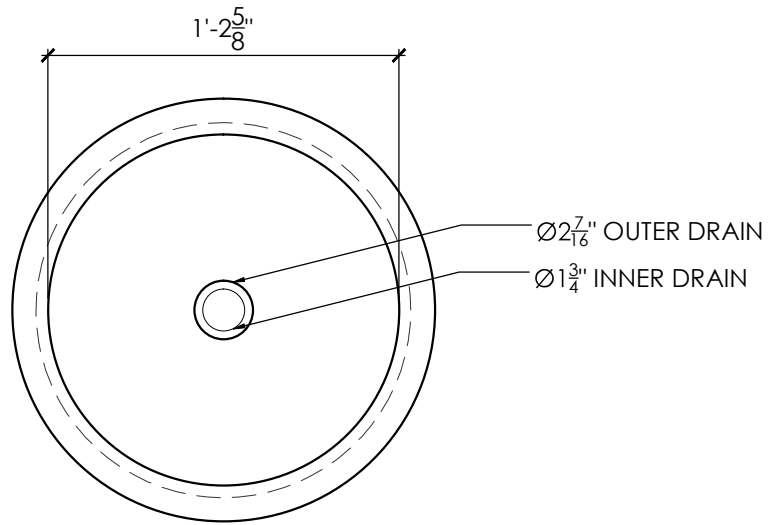


LONGITUDINAL SECTION

NOTES:

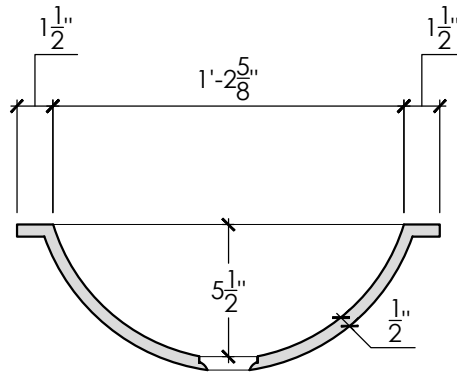
- SINKS COME STANDARD WITHOUT OVERFLOW. 5/8" OVERFLOW CAN BE ADDED UPON REQUEST.
- ALL PLUMBING HARDWARE PROVIDED BY OTHERS.

DATE: 2017.12.19	DURAT SINK - OVAL II
DRAWING: PLAN & ELEV	
SCALE: 1-1/2" = 1'-0"	
All dimensions size designations given are subject to verification on job site and adjustment to fit job conditions.	



SINK WEIGHT: 11 LBS.

PLAN VIEW

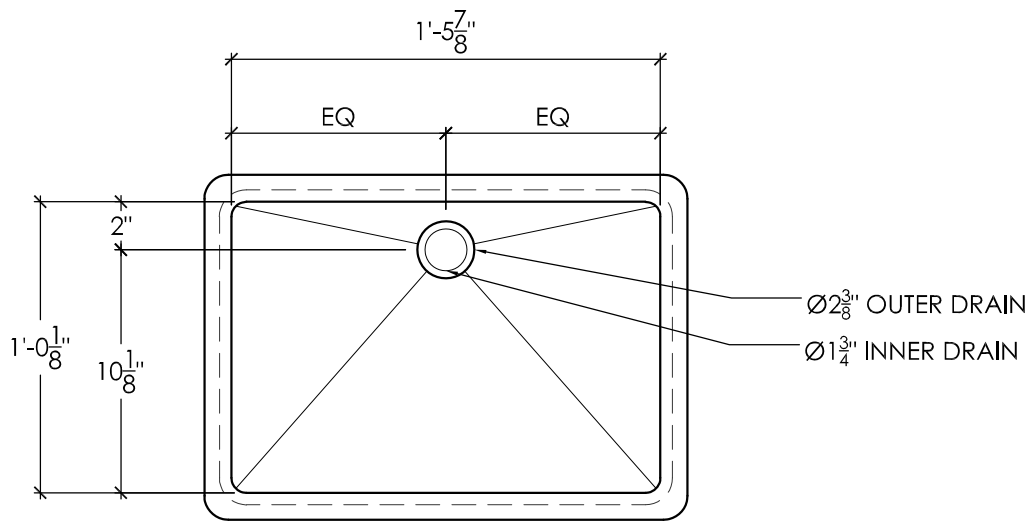


LONGITUDINAL SECTION

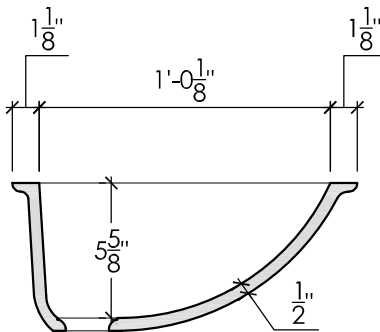
NOTES:

- SINKS COME STANDARD WITHOUT OVERFLOW. 5/8" OVERFLOW CAN BE ADDED UPON REQUEST.
- ALL PLUMBING HARDWARE PROVIDED BY OTHERS.

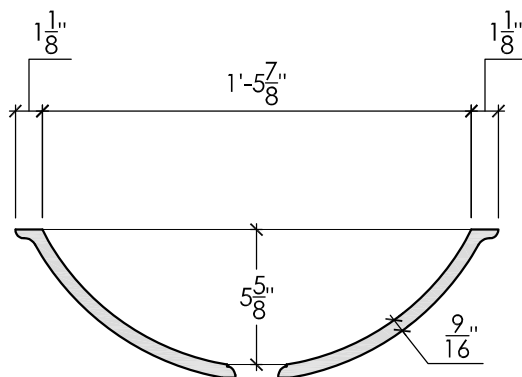
DATE: 2017.12.19	DURAT SINK - ROUND II
DRAWING: PLAN & ELEV	
SCALE: 1-1/2" = 1'-0"	
All dimensions size designations given are subject to verification on job site and adjustment to fit job conditions.	



PLAN VIEW




TRANSVERSE SECTION



LONGITUDINAL SECTION

NOTES:

- SINKS COME STANDARD WITHOUT OVERFLOW. 5/8" OVERFLOW CAN BE ADDED UPON REQUEST.
- ALL PLUMBING HARDWARE PROVIDED BY OTHERS.

DATE: 2021.5.26	DURAT SINK - WAVE I 
DRAWING: PLAN & ELEV	
SCALE: 1-1/2" = 1'-0"	
All dimensions size designations given are subject to verification on job site and adjustment to fit job conditions.	