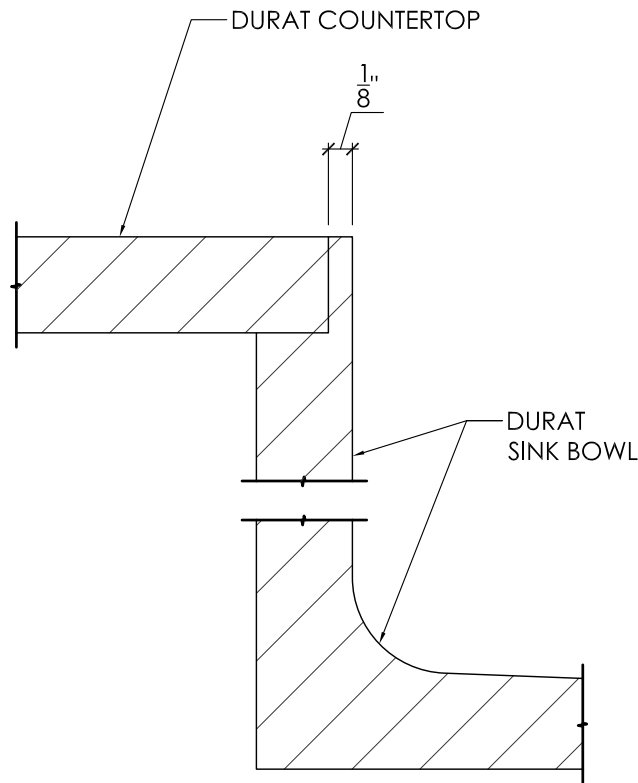
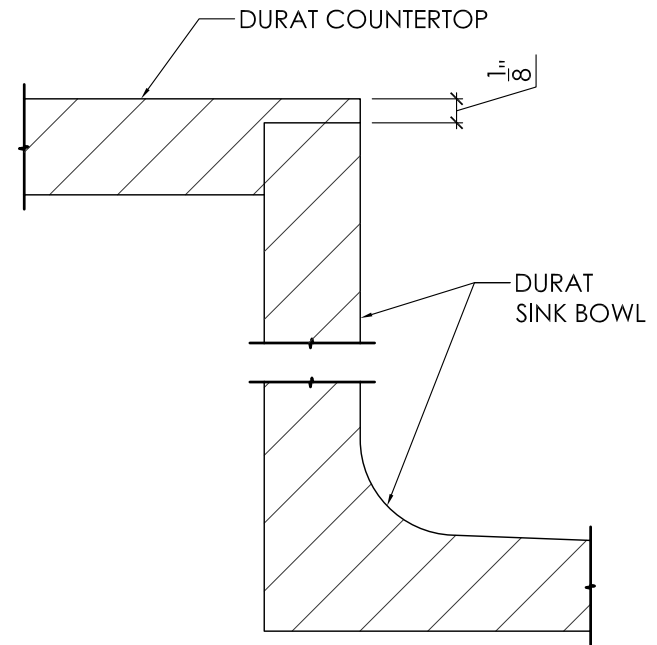


OPTION 1
SINK TOP BUTTED AGAINST
EDGE OF THE SHEET



OPTION 2
OUTER SINK EDGE RABBETED
TO 1/8" AND SHEET AB BUTTED
TO FACE OF SINK



OPTION 3
COUNTERTOP TOP EDGE RABBETED
TO 1/8" AND SINK AB BUTTED
TO FACE OF COUNTERTOP

| | |
|--|-----------------------------------|
| DATE: 2017.2.10 | DURAT INTEGRATED SINK EDGE DETAIL |
| DRAWING: DETAILS | |
| SCALE: 1'-0" = 1'-0" | |
| All dimensions size designations given are subject to verification on job site and adjustment to fit job conditions. | |